

Schijnwerper 500W IP65 5700K ND



Kenmerken:

1. Schijnwerper voor sportvelden
2. UL CE ERP RoHS DLC gecertificeerd
3. Driver meanwell
4. Ook beschikbaar in 3000K en 4000K

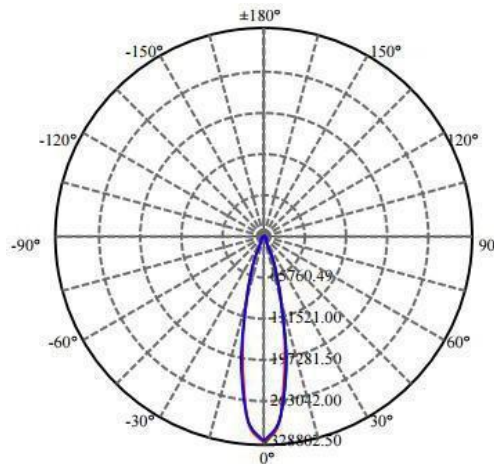
Artikelnummer	SCW-500I655700KNDNS8
Material	Aluminium
Power	500W
LED QTY	Seoul SMD 3535
Input Voltage	90-305V AC, 50-60Hz
Power Factor	>95

Luminous flux	60000
Color temperature	3000K/4000K/5700K
CRI	>75
Beam Angle	
IP degree	65
Base	

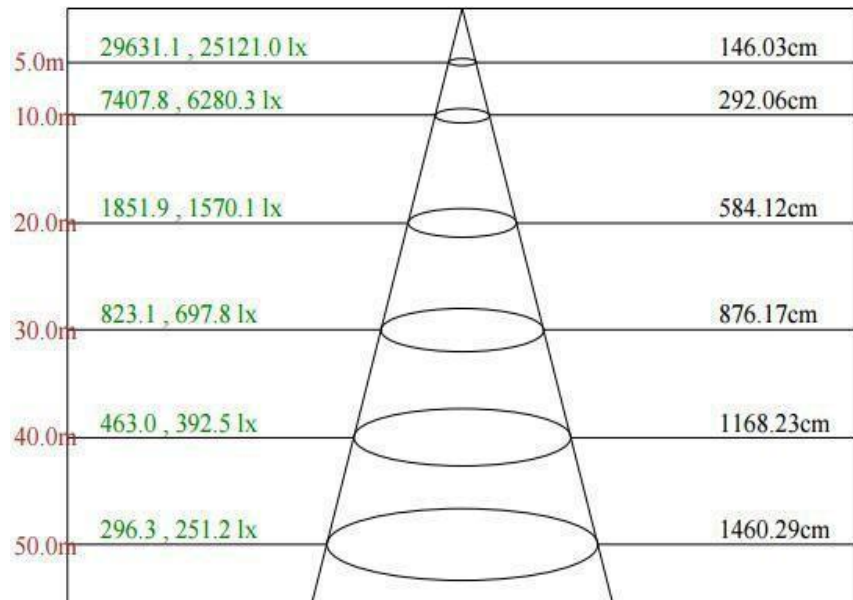
Average life	
Net Weight	
Product size	374*497mm
Packing size	510x510x610mm 1 stuk

Schijnwerper 500W IP65 5700K ND

Light Distribution Curve



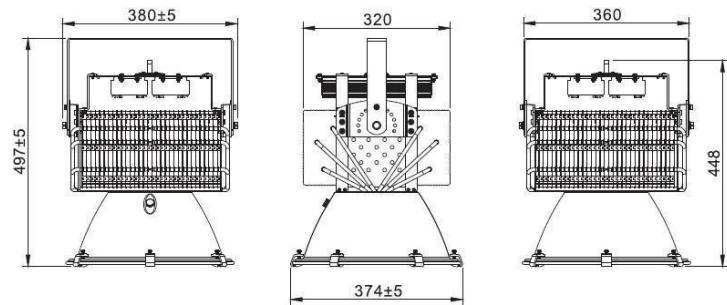
Illuminance diagram



Schijnwerper 500W IP65 5700K ND

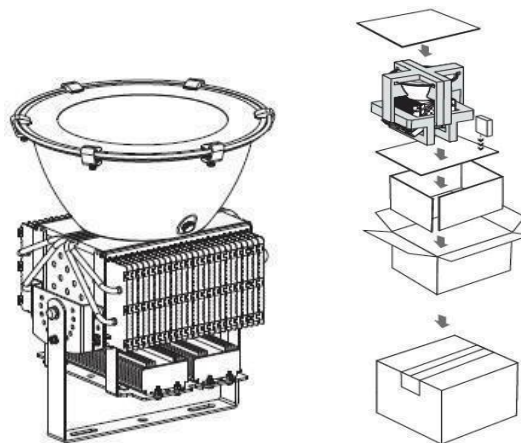
Size Chart

Unit: mm



Package Diagram

Net Weight (kg)	13.6kg
Gross Weight (kg)	16.80kg
Packing(mm)	510x510x610mm

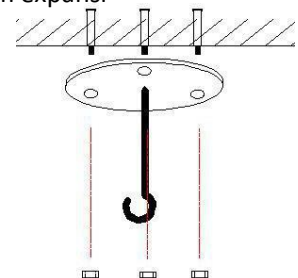
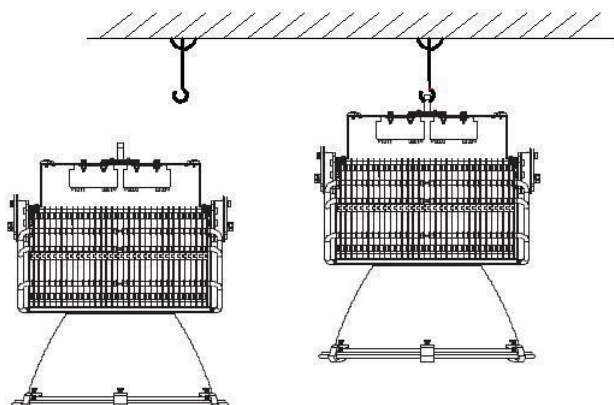


Mounting Instruction

Installation 1:

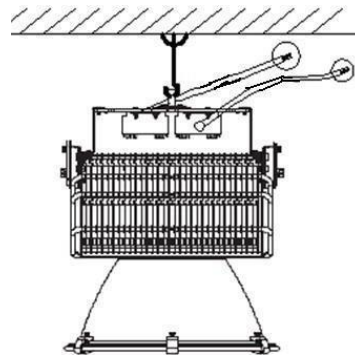
Step 1: Drill 3 holes with size $\phi 12\text{mm}$ and 120mm depth into the ceiling. Use $\phi 10\text{mm} \times \text{H}120\text{mm}$ expansion screws fix the hook on the ceiling and tighten with nut. The hook diameter is 10mm.

Step 2: Hang the light to the hook on the ceiling



Schijnwerper 500W IP65 5700K ND

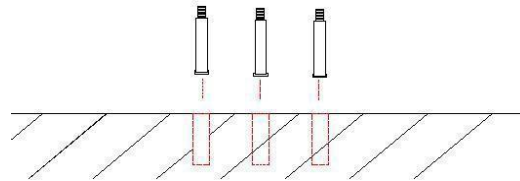
Step 3: Connect with the input wires



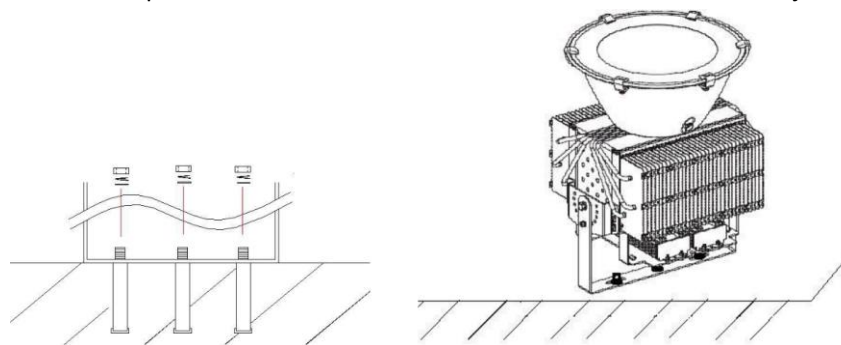
Wire Color:
Brown: L
Blue: N
Yellow&Green: GND

Installation 2:

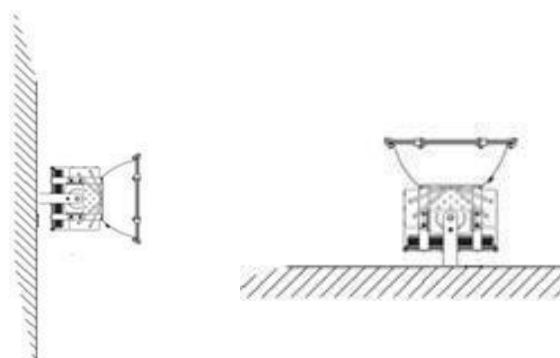
Step 1: Mounting the LED flood light onto the wall or ground: Drill 3 holes with size $\phi 12\text{mm}$ and 120mm depth into the wall or ground, then mounting with $\phi 10\text{mm}$ expansion screw.



Step 2: Fix the light into the expansion screw with nut, make sure it's fixed, and then adjust the projection direction.



Step 3: Connect with the input wires



Wire Color:
Brown: L
Blue: N
Yellow&Green: GND